

Nonvolatile DACPOT™ Electronic Potentiometer With Debounced Push Button Interface

FEATURES

Digitally Controlled Electronic Potentiometer

- **8-Bit Digital-to-Analog Converter (DAC)**
 - Independent Reference Inputs
 - Differential Non-Linearity of $\pm 0.5\text{LSB}$ max
 - Integral Non-Linearity of $\pm 1\text{LSB}$ max
- **V_{OUT} Value in EEPROM for Power-On Recall**
 - Equivalent to 256-Step Potentiometer
- **Unity Gain Op Amp Drives up to 1mA**
- **Simple Trimming Adjustment**
 - Debounced Pushbutton Interface
- **Low Noise Operation**
- **“Clickless” Transitions between DAC Steps**
- **No Mechanical Wear-out Problem**
 - 1,000,000 Stores (typical)
 - 100 Year Data Retention
- **Operation from 2.7V to 5.5V Supply**
- **Low Power: 1mW max at 5V**

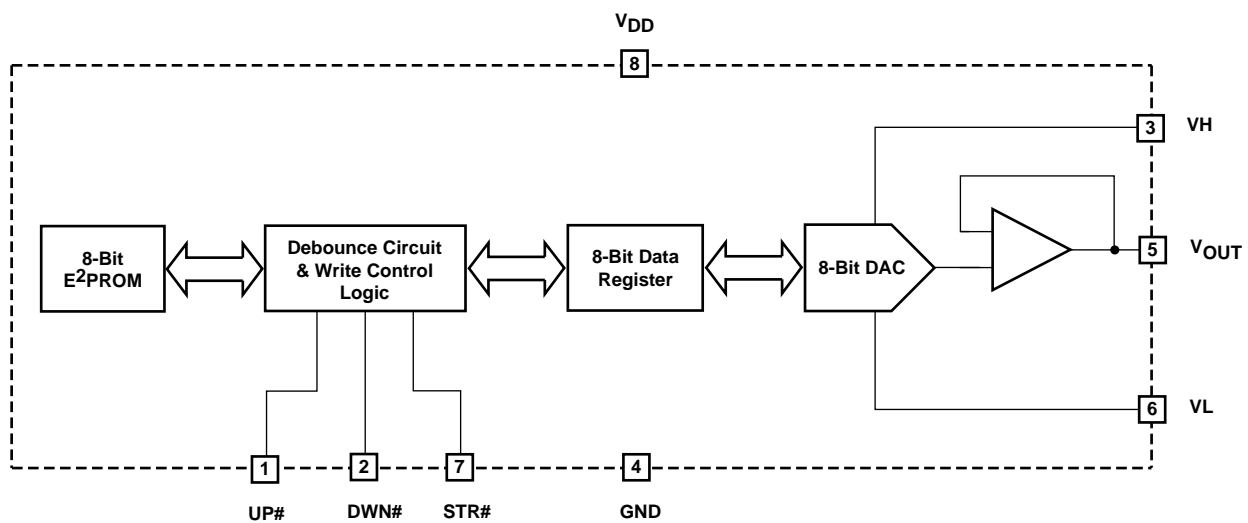
OVERVIEW

The S9518 DACPOT trimmer is an 8-bit nonvolatile DAC designed to replace mechanical potentiometers. The S9518 includes a unity-gain amplifier to buffer the DAC output and enables V_{OUT} to swing from rail to rail. The DACPOT trimmer operates over a supply voltage range of 2.7V to 5.5V.

The S9518's simple pushbutton input provides an ideal interface for operator adjusted equipment. This interface allows for quick and easy adjustment of even the most sophisticated systems.

The S9518 is a pin-compatible performance upgrade for other industry nonvolatile potentiometers. The S9518 offers double the resolution of these devices and provides 'clickless' transitions of V_{OUT} .

FUNCTIONAL BLOCK DIAGRAM





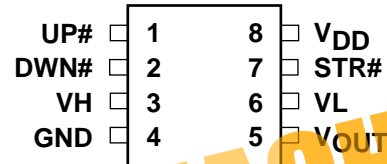
PIN NAMES

Symbol	Description
UP#	PB input, moves V_{OUT} toward V_H input
DWN#	PB input, moves V_{OUT} toward V_L input
V_H	V_{REF} high
GND	Ground
V_{OUT}	Trimmed voltage output
V_L	V_{REF} low
STR#	Store input, providing a control input to initiate a store operation
V_{DD}	Supply voltage (2.7V to 5.5V)

2017 Table01 5.0

PINOUT

8-Pin SOIC



2017 T PCOn 5.0

Analog Section

The S9518 is an 8-bit, voltage output digital-to-analog converter (DAC). The DAC consists of a resistor network that converts 8-bit digital values into equivalent analog output voltages in proportion to the applied reference voltage.

Reference Inputs

The voltage differential between the V_L and V_H inputs sets the full-scale output voltage range. V_L must be equal to or greater than ground (a positive voltage). V_H must be greater than V_L and less than or equal to V_{DD} . See specifications for guaranteed operating limits.

Output Buffer Amplifier

The voltage output is from a precision unity-gain follower that can slew up to 1V/ μ s.

Digital Interface

The interface provides simple pushbutton control of an up/down counter that drives the DAC. The DAC output is a ratiometric voltage output.

UP# is an active low pushbutton input. An internal pull-up resistor, with nominal value of 50k Ω , eliminates an external resistor. A 30ms debounce period is included in the input timing to prevent multiple pulsing of the counter. Either a switch closure to ground or a low logic level will, after the debounce time, change the potentiometer tap position. UP# moves the output voltage towards the V_H reference input.

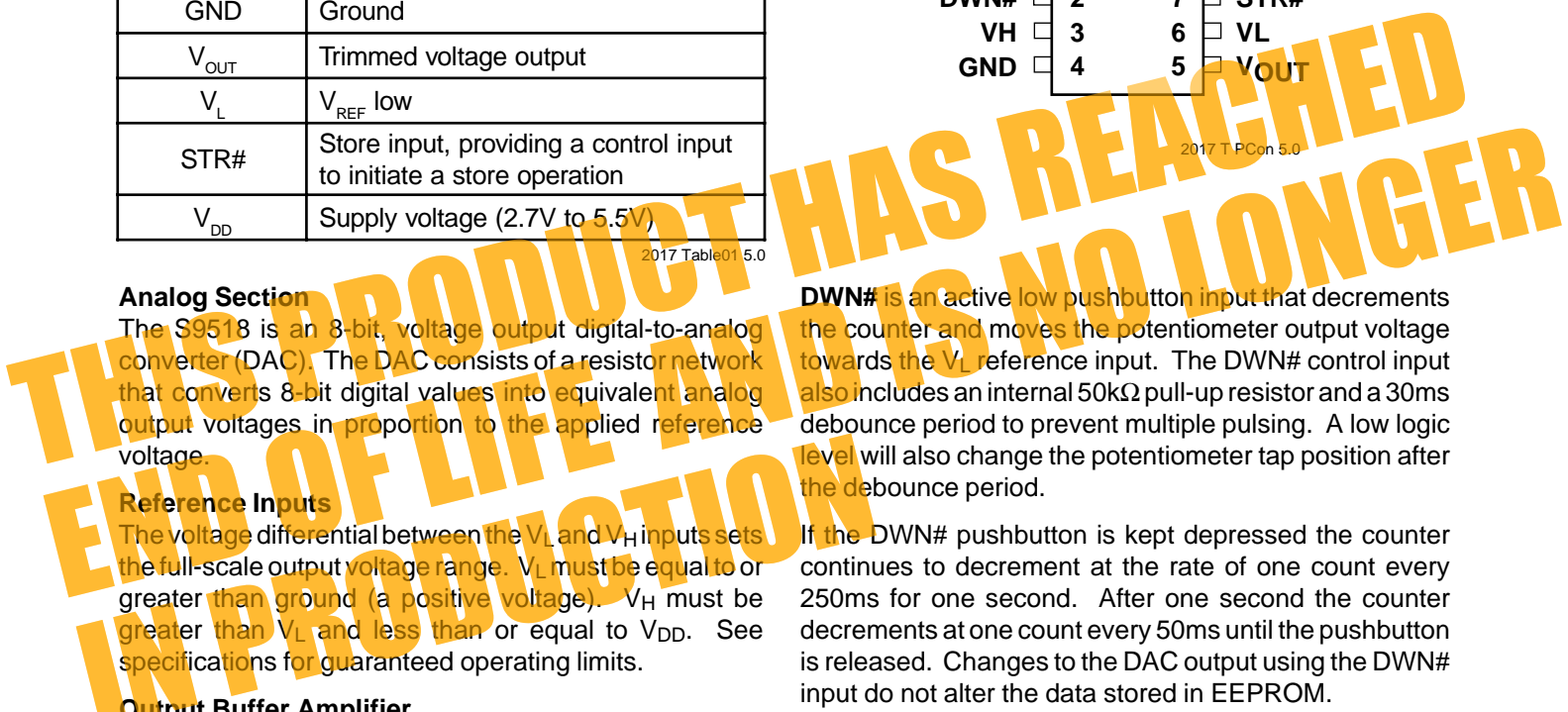
If the UP# pushbutton is kept depressed the counter will continue to increment at the rate of one count every 250ms for one second. After one second the counter increments faster, one count every 50ms, until the pushbutton is released. Changes to the DAC output using the UP# input do not alter the data stored in EEPROM.

DWN# is an active low pushbutton input that decrements the counter and moves the potentiometer output voltage towards the V_L reference input. The DWN# control input also includes an internal 50k Ω pull-up resistor and a 30ms debounce period to prevent multiple pulsing. A low logic level will also change the potentiometer tap position after the debounce period.

If the DWN# pushbutton is kept depressed the counter continues to decrement at the rate of one count every 250ms for one second. After one second the counter decrements at one count every 50ms until the pushbutton is released. Changes to the DAC output using the DWN# input do not alter the data stored in EEPROM.

STR# This input can be used in two ways:

- 1) If the input is tied low, then AUTOSTORE is enabled. When V_{DD} powers down, an automatic store cycle takes place that updates the nonvolatile EEPROM memory.
- 2) STR# is an active low pushbutton input that also updates the nonvolatile memory. The input is debounced but does not have an internal pull-up resistor. For every valid push the S9518 will store the current potentiometer position to EEPROM.





DEVICE OPERATION

There are five main blocks to the S9518: an 8-bit EEPROM memory; input debounce circuits, control logic, and 8-bit counter; 8-bit data register; decode section and resistor ladder (DAC); and the buffer amplifier.

The input control section operates just like an up/down counter. The output of this counter is fed to the data register and then decoded to activate one of 255 electronic switches connected to the resistor ladder. The ladder is comprised of 256 resistors of equal value connected in series. At the bottom of the ladder and at the junctions of the resistors there are electronic switches that transfer the voltage at each point to the buffer amplifier and then to the output.

The S9518 is designed to interface directly to two pushbutton switches that effectively move the potentiometer wiper up or down. The UP# and DWN# inputs, respectively, increment or decrement the 8-bit counter. The data input to the DAC is decoded to select one of the 256 wiper positions along the resistive ladder. The wiper increment input UP# and the wiper decrement input DWN# are connected to internal pull-ups so that they normally remain high. When pulled low by an external pushbutton switch or a logic low level input, the wiper will be switched to the next adjacent tap position. Internal debounce circuitry prevents inadvertent switching of the wiper position if UP# or DWN# remain low for less than 30ms (typical).

Each of the buttons can be pushed either once for a single increment/decrement or held low continuously for multiple increments/decrements. The number of increments/decrements of the wiper position depends on how long the

button is pushed. When making a continuous push, after the first second, the increment/decrement speed increases. For the first second the device will be in the slow scan mode. Then, if the button is held for longer than one second, the device will go into the fast scan mode. As soon as the button is released the S9518 will return to a standby condition.

The DAC, whether set to 00_{HEX} or FF_{HEX}, acts like its mechanical equivalent and does not move beyond the last position. That is, the counter does not wrap around when clocked up to FF_{HEX} or down to 00_{HEX}.

AUTOSTORE

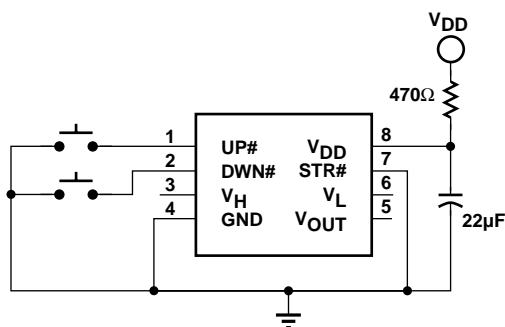
The value of the counter is stored in EEPROM memory whenever the chip senses a power-down of V_{DD} while STR# is enabled (held low). When power is restored the contents of the memory are recalled and the counter reset to the last value stored. If AUTOSTORE is to be implemented, STR# is typically hard wired to GND. If STR# is held high during power-up and then taken low the wiper will not respond to the UP# or DWN# inputs until STR# is brought high and the store is complete. See Figure 1.

Manual (Pushbutton) Store

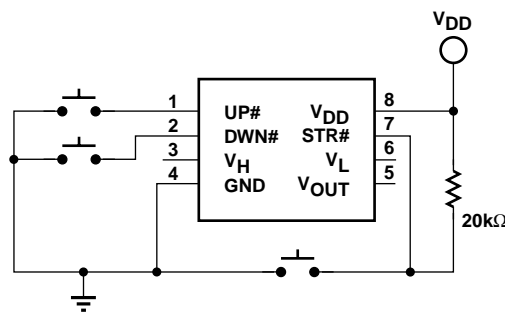
When STR# is not enabled (held high) a pushbutton switch may be used to pull STR# low and released to perform a manual store of the wiper position in EEPROM memory. See Figure 2.

Effect of V_{DD} Removal

The resistor ladder, connected between V_H and V_L, does not change value when V_{DD} is removed. However, the buffer amplifier no longer functions, and consequently a high impedance appears at the V_{OUT} pin.



2017 T Fig01 5.1



2017 T Fig02 5.0

Figure 1: Typical circuit with STR store pin used in AUTOSTORE mode

Figure 2: Typical circuit with STR store pin controlled by push button switch



ABSOLUTE MAXIMUM RATINGS

Temperature Under Bias	-55°C to 125°C
Storage Temperature	-65°C to 150°C
Voltage on pins with reference to GND:	
Analog Inputs	-0.5V to $V_{DD}+0.5V$
Digital Inputs	-0.5V to $V_{DD}+0.5V$
Analog Outputs	-0.5V to $V_{DD}+0.5V$
Digital Outputs	-0.5V to $V_{DD}+0.5V$
Lead Solder Temperature (10s)	300°C

COMMENT

Stresses above those listed under Absolute Maximum Ratings may cause permanent damage to the device. These are stress ratings only, and functional operation of the device at these or any other conditions outside those listed in the operation sections of this specification is not implied. Exposure to any absolute maximum rating for extended periods may affect device performance and reliability.

RECOMMENDED OPERATING CONDITIONS

Condition	Min.	Max.
Temperature	-40°C	85°C
V_{DD}	2.7V	5.5V

2017 Table02 5.0

**THIS PRODUCT HAS REACHED
END OF LIFE AND IS NO LONGER
IN PRODUCTION**



DAC DC ELECTRICAL CHARACTERISTICS

$V_{DD} = 2.7V$ to $5.5V$, $V_{REFH} = V_{DD}$, $V_{REFL} = 0V$, $T_A = -40^{\circ}C$ to $85^{\circ}C$, unless specified otherwise

	Symbol	Parameter	Conditions	Min.	Typ.	Max.	Units
Accuracy	INL	Integral Non-Linearity	$I_{LOAD} = 100\mu A$,		0.5	± 1	LSB
	DNL	Differential Non-Linearity	$I_{LOAD} = 100\mu A$, Guaranteed but not tested		0.1	± 0.5	LSB
References	V_H	V_{REFH} Input Voltage		V_{REFL}		V_{DD}	V
	V_L	V_{REFL} Input Voltage		Gnd		V_{REFH}	V
	R_{IN}	V_{REFH} to V_{REFL} Resistance			38k		Ω
	TC_{RIN}	Temperature Coefficient of R_{IN}	V_{REFH} to V_{REFL}		600		ppm/ $^{\circ}C$
Analog Output	GEFS	Full-Scale Gain Error	DATA = FF _{HEX}			± 1	LSB
	V_{OUTZS}	Zero-Scale Output Voltage	DATA = 00 _{HEX}	0		20	mV
	TC_{VOUT}	V_{OUT} Temperature Coefficient	$V_{DD} = 5$, $I_{LOAD} = 50\mu A$, $V_{REFH} = 5V$, $V_{REFL} = 0V$, Guaranteed but not tested			50	$\mu V/^{\circ}C$
	I_L	Amplifier Output Load Current		-200		1000	μA
	R_{OUT}	Amplifier Output Resistance	$I_{LOAD} = 100\mu A$ $V_{DD} = 5V$ $V_{DD} = 3V$		10 20		Ω Ω
	PSRR	Power Supply Rejection	$I_{LOAD} = 10\mu A$			1	LSB/V
	e_N	Amplifier Output Noise	$f = 1kHz$, $V_{DD} = 5V$			90	nV/ \sqrt{Hz}
	THD	Total Harmonic Distortion	$V_{IN} = 1V_{RMS}$, $f = 1kHz$			0.08	%
BW	Bandwidth -3dB	$V_{IN} = 100mV_{RMS}$			300	kHz	

2017 PGM T3.4

RELIABILITY CHARACTERISTICS

Symbol	Parameter	Min.	Max.	Unit
V_{ZAP}	ESD susceptibility	2000		V
I_{LTH}	Latch up	100		mA
T_{DR}	Data retention	100		Years
N_{END}	Endurance	1,000,000		Stores

2017 Table03 5.0



DC ELECTRICAL CHARACTERISTICS $V_{DD} = 2.7V$ to $5.5V$, $V_H = V_{DD}$, $V_L = 0V$, Unless otherwise

specified Symbol	Parameter	Conditions	Min	Max	Units
I _{DD}	Supply Current during store (Note 1)	STR# =		1.2	mA
I _{SB}	Supply Standby Current			200	μA
I _{IH}	Input Leakage Current	$V_{IN} = V_{DD}$		10	μA
I _{IL}	Input Leakage Current (Note 2)	$V_{IN} = 0V$		-100	μA
V _{IH}	High Level Input Voltage		2	V_{DD}	V
V _{IL}	Low Level Input Voltage		0	0.8	V

2017 PGM T5.1

Notes:

1. I_{DD} is the supply current drawn while the EEPROM is being updated. I_{DD} does not include the current that flows through the Reference resistor chain.
2. UP# and DWN# have internal pull-up resistors of approximately 50kΩ. When the input is pulled to ground the resulting output current will be $V_{DD}/50k\Omega$.

THIS PRODUCT HAS REACHED END OF LIFE AND IS NO LONGER IN PRODUCTION

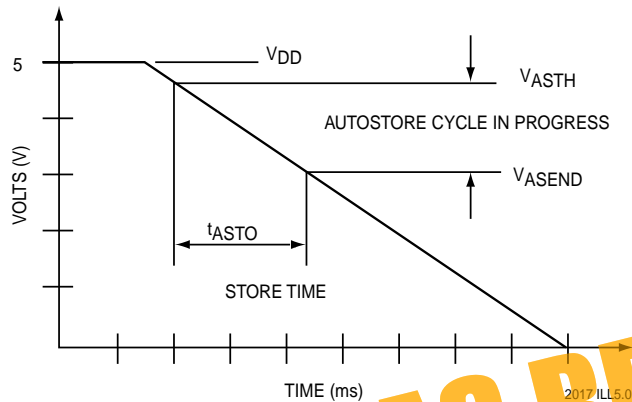
AC OPERATING CHARACTERISTICS $V_{DD} = 4.5V$ to $5.5V$

Symbol	Parameter	Limits			Units
		Min.	Typ.	Max.	
f _{GAP}	Time Between Two Separate Push Button Events	0			μs
t _{DB}	Debounce Time		30	60	ms
t _{S SLOW}	After Debounce to Wiper Change on a Slow Mode	100	250	375	ms
t _{S FAST}	Wiper Change on a Fast Mode	25	50	75	ms
t _{PU}	Power-Up to Wiper Stable			500	μs
t _{R V_{DD}}	V_{DD} Power-Up Rate	0.2		50	mV/μs
t _{ASTO}	AUTOSTORE Cycle Time (Note 3)	4	2		ms
V _{ASTH}	AUTOSTORE Threshold Voltage (Note 3)	4.6		5.5	V
t _{ASEND}	AUTOSTORE Cycle End Voltage		3.5		V

2017 PGM T6.0

Notes:

3. t_{ASTO} and V_{ASTH} are characterized and periodically sampled, but not 100% tested.



Notes:

- V_{ASTH} = AUTOSTORE threshold voltage
- V_{ASEND} = AUTOSTORE cycle end voltage
- t_{ASTO} = AUTOSTORE cycle time

**THIS PRODUCT HAS REACHED
END OF LIFE AND IS NO LONGER
IN PRODUCTION**

FIGURE 3. AUTOSTORE CYCLE TIMING DIAGRAM

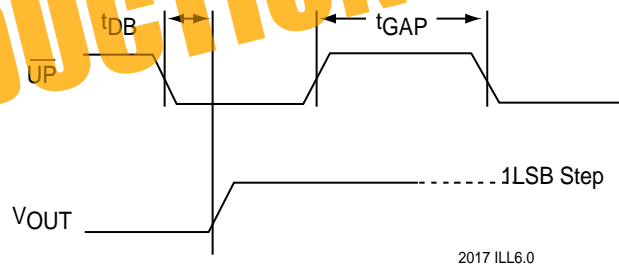


FIGURE 4. SLOW MODE TIMING

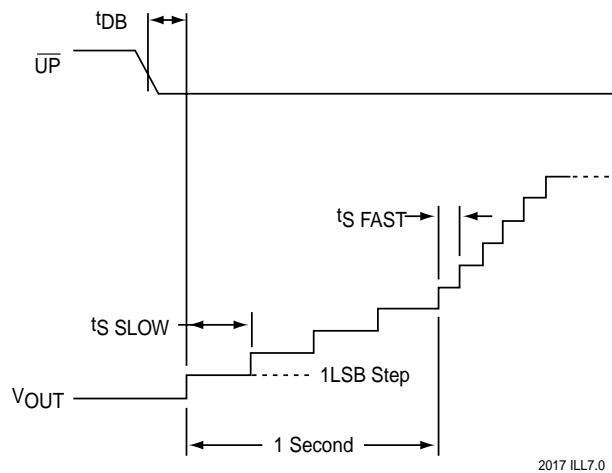
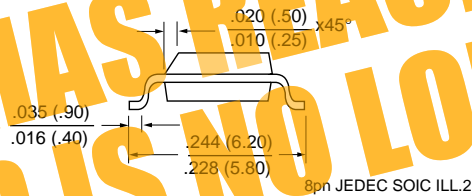
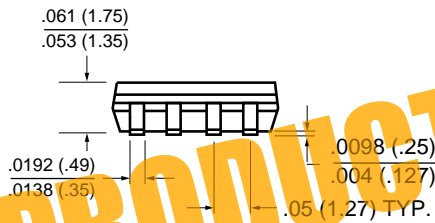
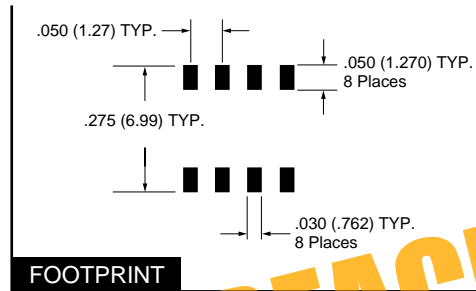
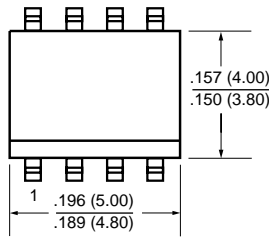


FIGURE 5. FAST MODE TIMING



8 Pin SOIC (Type S) Package JEDEC (150 mil body width)



THIS PRODUCT HAS REACHED
END OF LIFE AND IS NO LONGER
IN PRODUCTION

ORDERING INFORMATION



2017 Tree 5.0

NOTICE

SUMMIT Microelectronics, Inc. reserves the right to make changes to the products contained in this publication in order to improve design, performance or reliability. SUMMIT Microelectronics, Inc. assumes no responsibility for the use of any circuits described herein, conveys no license under any patent or other right, and makes no representation that the circuits are free of patent infringement. Charts and schedules contained herein reflect representative operating parameters, and may vary depending upon a user's specific application. While the information in this publication has been carefully checked, SUMMIT Microelectronics, Inc. shall not be liable for any damages arising as a result of any error or omission.

SUMMIT Microelectronics, Inc. does not recommend the use of any of its products in life support or aviation applications where the failure or malfunction of the product can reasonably be expected to cause any failure of either system or to significantly affect their safety or effectiveness. Products are not authorized for use in such applications unless SUMMIT Microelectronics, Inc. receives written assurances, to its satisfaction, that: (a) the risk of injury or damage has been minimized; (b) the user assumes all such risks; and (c) potential liability of SUMMIT Microelectronics, Inc. is adequately protected under the circumstances.