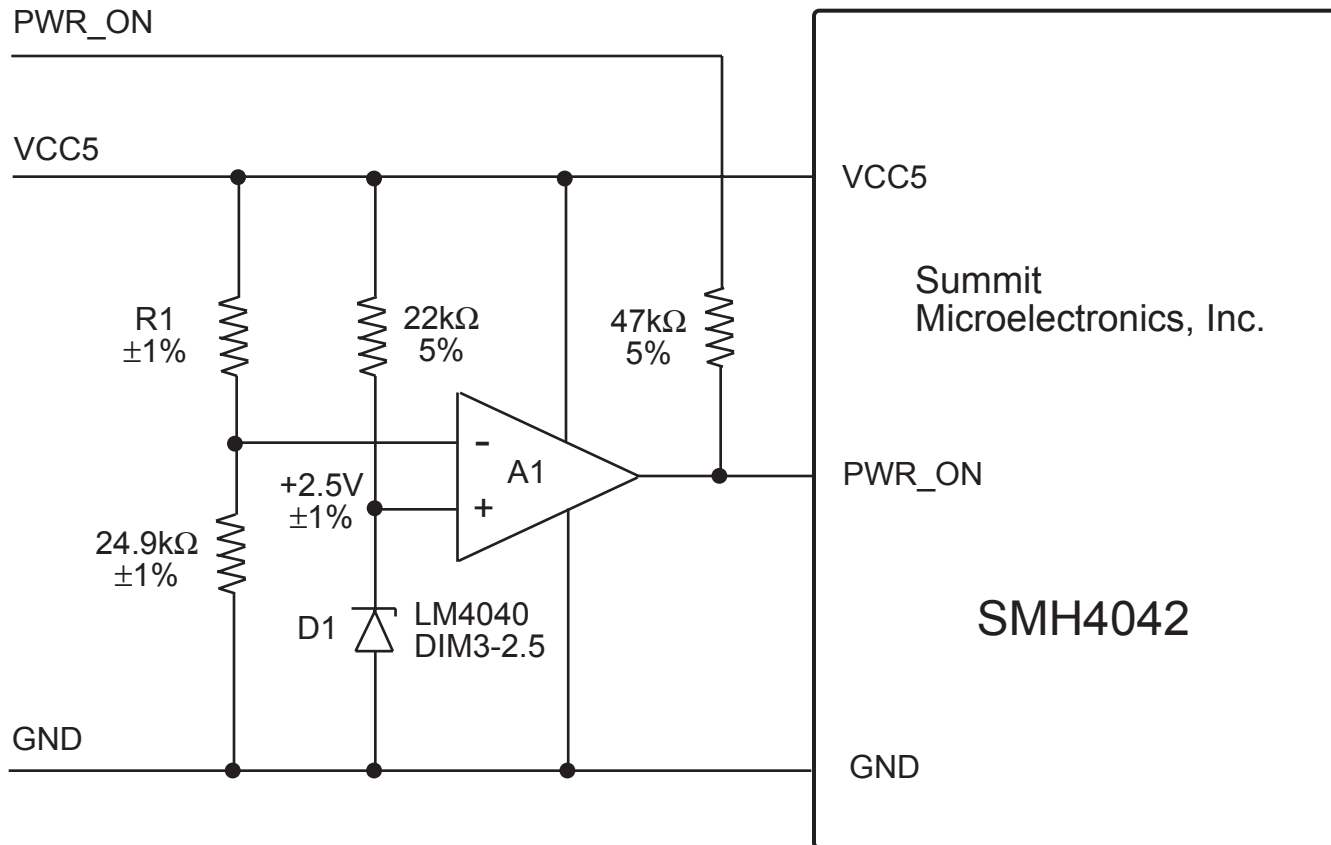


# SMH4042 with Supply Over-Voltage Shutdown

Rev 1, 5/18/99



VCC(5) Over-Voltage Shutdown: R1=34.8kΩ at 6V, 39.2kΩ @ 6.5V, 44.6kΩ @ 7V  
A1 - LMC7221BIM5X, SOT23-5, Open-Drain Output Comparator (NSC)