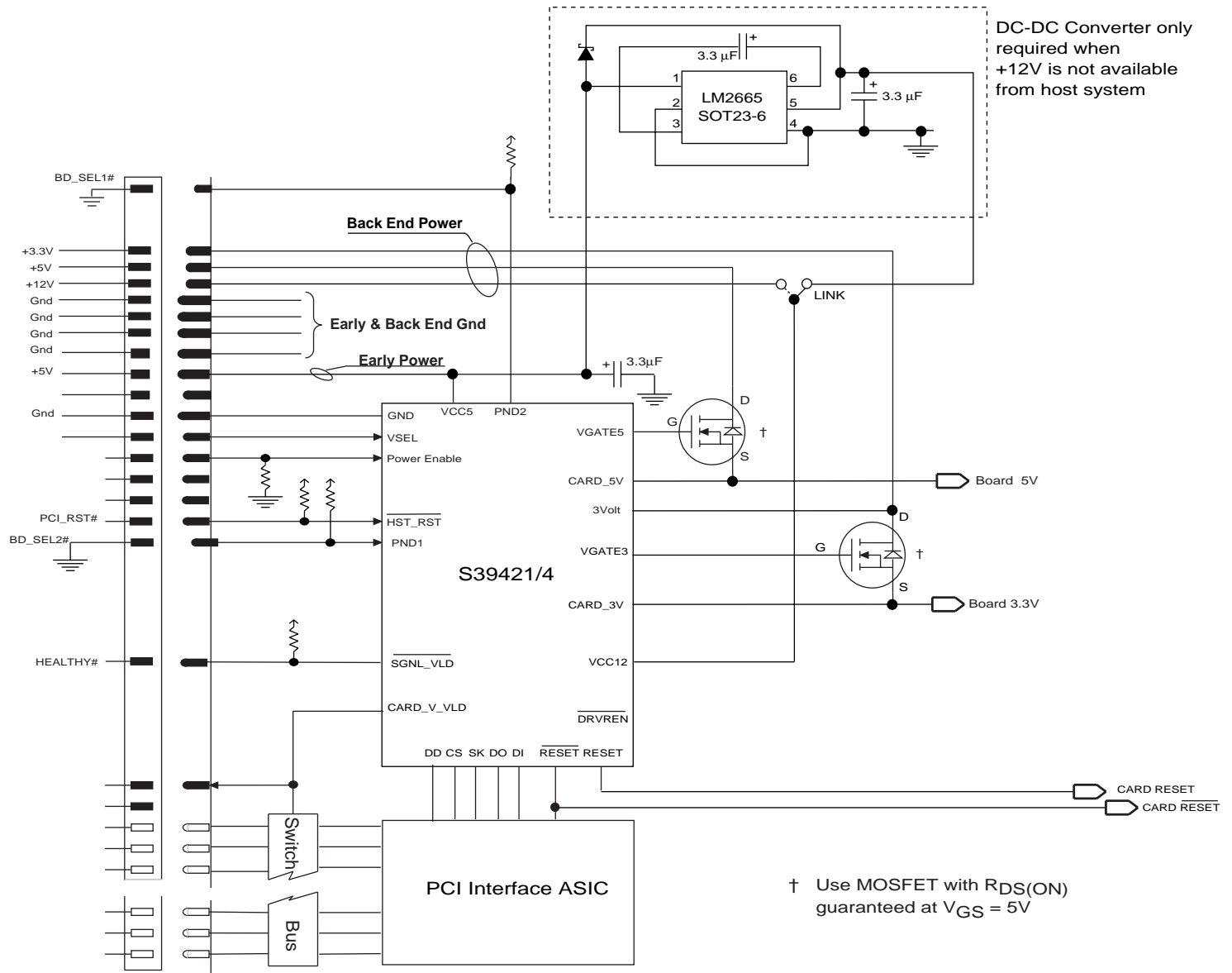




**TYPICAL PCI INTERFACE SCHEMATIC WITH ON CARD DC-DC CONVERTER**



2024/2030 ILL16.5a