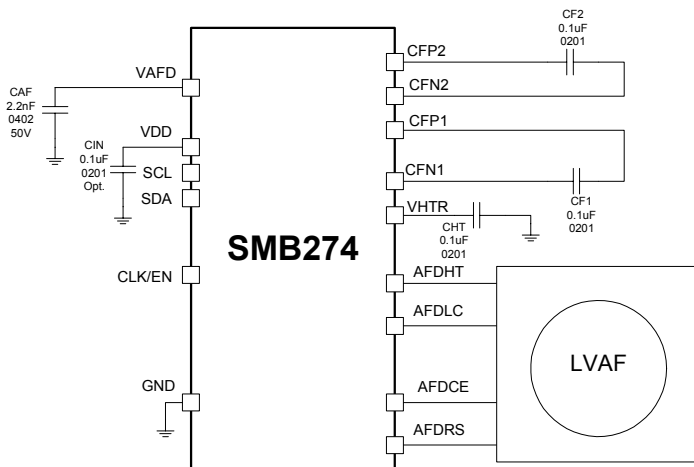


Programmable Autofocus Driver IC Enables World's First Solid State AF Digital Camera

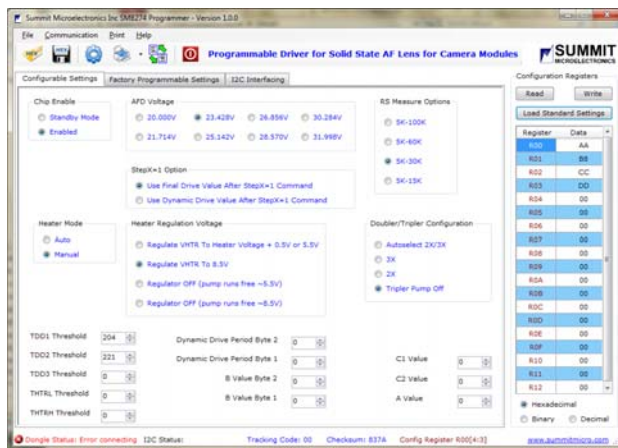
Complete solution for LensVector™ Autofocus (LVAF) Integrates Driver, Signal Processing, Digital Control and Non-Volatile Configuration into Tiny CSP Package



SMB274 Features

- I2C/SMBus serial interface with OTP NV configuration
- Programmable AF driver with integrated high-voltage charge pump and switching output
 - +28V output
 - Programmable dynamic drive duration (0ms-255ms)
 - Programmable frequency (100Hz-100kHz)
 - Integrated temperature compensation and signal processing
- Standby/shutdown modes for ultra-low power
- +2.7 to +5.5V input for Li-Ion applications
- Tiny 1.34 x 2.34mm CSP-15 package

Evaluation Kit and GUI allows easy programming of functions and parameters



SMB274 Applications

- Mobile/Smartphone Cameras
- Embedded Webcams
- Video Conferencing Equipment
- Slim DSC/DVC
- Portable Image Scanners
- Mobile Entertainment Devices

For more information see:

http://www.summitmicro.com/prod_select/summary/SMB274/SMB274.htm