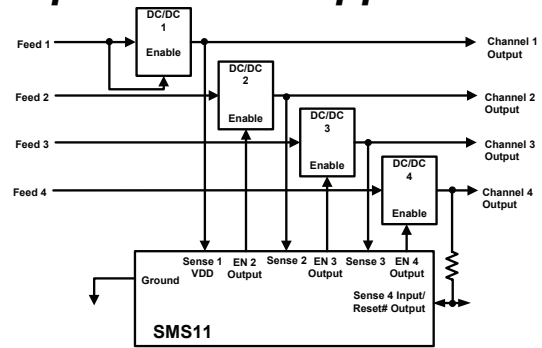
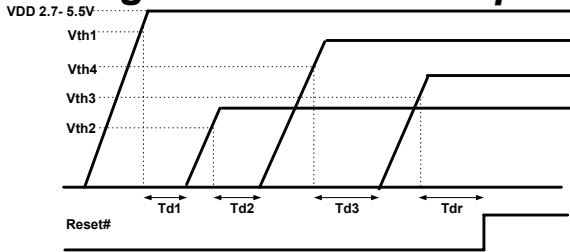


World's Smallest *Programmable* Power Supply Monitor/Sequencer/Reset ICs

Quad monitor/sequencer/resets combine integration and flexibility

Long-duration reset input for manual push-button applications



Shipped with your "custom parameters" already programmed. No extra manufacturing steps!

Single Summit device adjusts to many voltages and time delays; outperforms dozens of "fixed" competitor part numbers!

SMS11 Quad Sequencer/Reset				
	SMS11	LTC2924	ISL612x	MAX687x
EEPROM Programming?	Y	N	N	Y
# of EN Outputs	4	4	4	5
# of Voltage Monitors	4	4	4	4
Voltage Monitor Threshold	Prog	Resistors	Resistors	Prog
Sequencing Order/Delay	Prog	Capacitor	Capacitor	Prog
Reset Timeout	Prog	Capacitor	Capacitor	Prog
# External components	0	13	17	5
Typ. Oper. Current (uA)	200	1500	140	1800
Package Type	CSP-8	SSOP-16	QFN-24	QFN-36
Package Size (mm)	1.4x2.5	6x5	4x4	6x6
Price \$ (1K est.)	\$ 2.00	\$ 2.65	\$ 2.87	\$ 6.39

World's smallest quad sequencer!

Actual Size >

1.4mm x 2.5mm vs 6.0mm x 6.0mm

SMR101 Dual Reset				
	SMR101	LTC295x	ISL8801x	MAX644x
EEPROM Programming?	Y	N	N	N
# of Reset Outputs	2	1	1	2
Reset Timeout	Prog	Capacitor	Capacitor	Fixed
# of Voltage Monitors	1	0	1	1 or 2
Voltage Monitor Threshold	Prog	N/A	Fixed	Fixed/Resistor
Long Duration Manual Reset?	Prog	N	N	Fixed
Long Duration Input Range (s)	0.125-40	N/A	N/A	6.72
# External components	0	3	5	3
Package Type	CSP-6	DFN-8	SOT-23	SOT-23
Package Size (mm)	1.2x1.8	3x2	3x3	3x3
Price \$ (1K est.)	\$ 0.90	\$ 1.75	\$ 0.99	\$ 1.25

World's smallest reset IC!

Actual Size >

1.3mm x 1.8mm vs 3.0mm x 3.0mm

Summit Advantage

CSP packages and zero external components cut footprint 60%-90%!

Applications

- Handheld GPS Terminal
- Wireless LAN/WAN Car
- 3G Phones
- PDA/Smartphones
- Digital Cameras/Camcorders
- Portable Media Players/Games

For more information see:
www.summitmicro.com

SUMMIT
MICROELECTRONICS, Inc.
"Programmable Power for a Digital World"