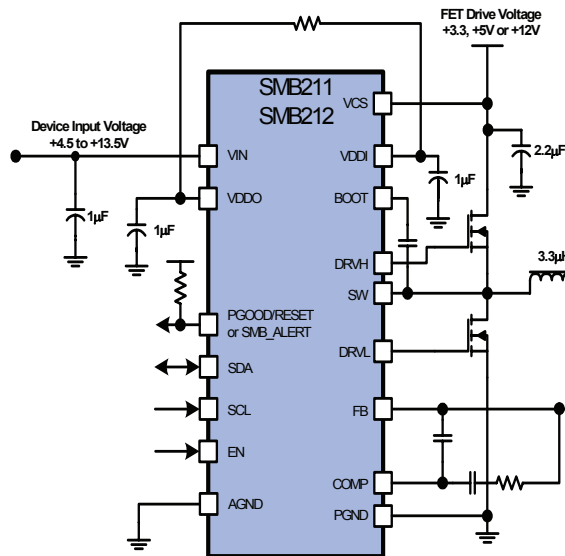
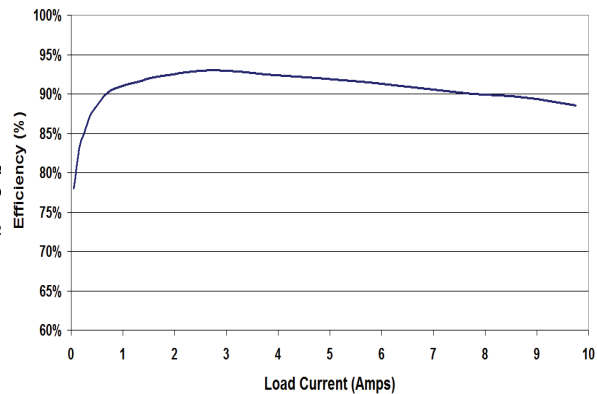


15 Amp Regulator with Digital Control

High efficiency and tiny solution size



High Efficiency supports “Green” Designs ($V_{IN} = 12V$, $V_{OUT} = 1.8V$)

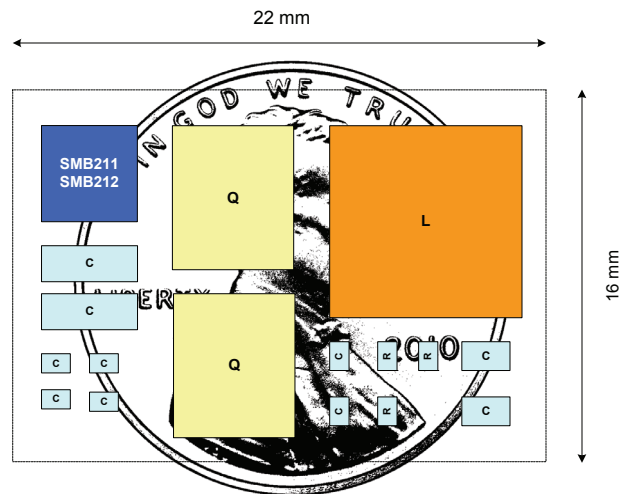


Efficient, Compact DC/DC Power Regulation with Advanced Digital Control

SMB211/SMB212 Features

- **Two Products for different Switching Frequencies:**
 - SMB211: 250/500/750/1000kHz
 - SMB212: 250/375/500/625kHz
- **Wide Input Voltage Range (+4.5V to +13.5V)**
- **Up to 15A+ DC Output and up to 96% Efficiency**
- **Output Voltage Accuracy: $\pm 1\%$**
- **Digitally Programmable Functions with Non-Volatile Configuration**
 - Output voltage/margining
 - Switching frequency
 - Softstart and power-on delays
 - Current limit and response
 - Output UV/OV thresholds
 - RESET/PGOOD behavior
- **Built-in Safety and Protection**
 - Over-Voltage/Current/Temperature
 - Digital Status and Fault Registers
- **Small 4x4 QFN Package**

Complete Solution Size for 15A
(350mm² - Two layer PCB)



SUMMIT
MICROELECTRONICS, Inc.
*“Programmable Power for a **Green Planet**™”*

For more information see:
www.summitmicro.com/SMB211