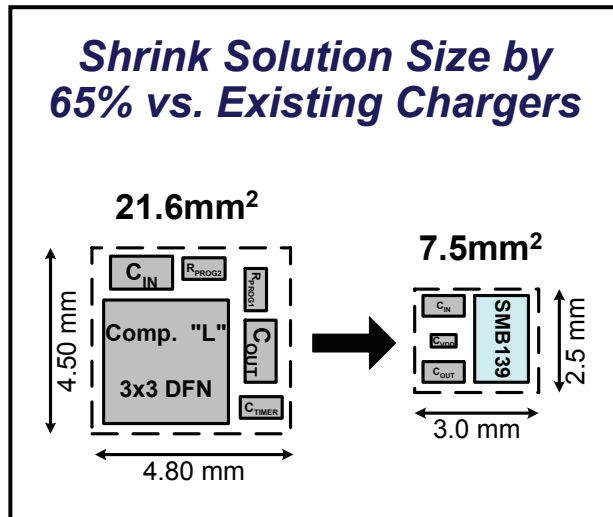
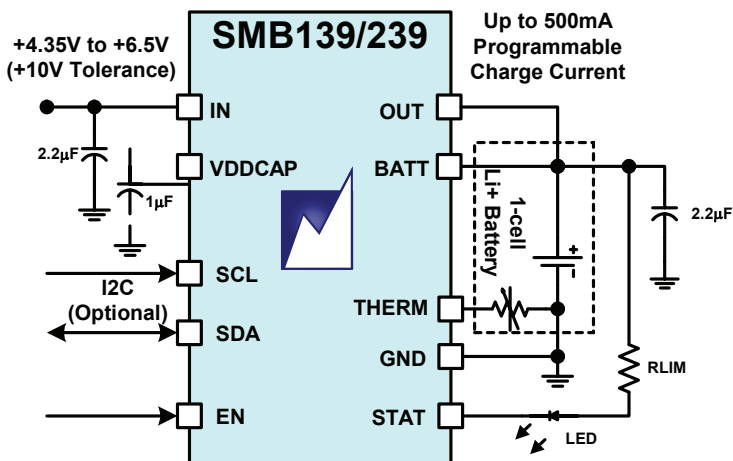


World's Smallest Battery Charger!

Performance and Programmability in Tiny Package
500mA Charging Current - Ideal for Bluetooth™ Devices



SMB139/239 Applications

- Bluetooth™ phone headsets
- Bluetooth™ stereo headphones
- Ultra-thin phones/media players
- Wristwatch GPS/MP3
- Sports/wearable electronics
- Portable biometric monitors



Summit's Family of Programmable Battery Chargers

The Ideal Solution for Your Portable Application

	SMB137	SMB138	SMB135/235	SMB139/239
Topology	Switch-mode	Switch-mode	Switch-mode	Linear-mode
Input Voltage Range (V)*	4.35 to 5.5 (16)	4.35 to 6.0 (16)	4.35 to 6.5 (10)	4.35 to 6.5 (10)
# of Inputs/Outputs	2/2	1/1	1/1	1/1
Maximum Charge Current (mA)	1500	1250	900	210/500
TurboCharge™ Output	Automatic	Automatic	Software/uC	
CurrentPath™ Control	X			
USB On-The-Go Power	X	X		
Low-Battery Recovery Mode	X			
I2C Interface	X	X	X	X
Programmable Float Voltage	X	X	X	X
Programmable Charge/Term. Current	X	X	X	X
Programmable Input Current Limit	X	X		
Input/Battery OV/UV	X	X	X	X
Hardware Safety Timer	X	X	X	X
Software Watchdog Timer	X	X		
Battery Thermal Protection	X		X	X
IC Thermal Protection	X	X	X	X
Package	3.6x3.3 CSP-30	3.1x2.1 CSP-20	2.1x1.3 CSP-15 5x5 QFN-32	2.1x1.3 CSP-15 5x5 QFN-32
Solution Size (mm ²)	50	28	31	7.5

* () Indicates overvoltage "holdoff" tolerance

For more information see:
www.summitmicro.com/SMB139