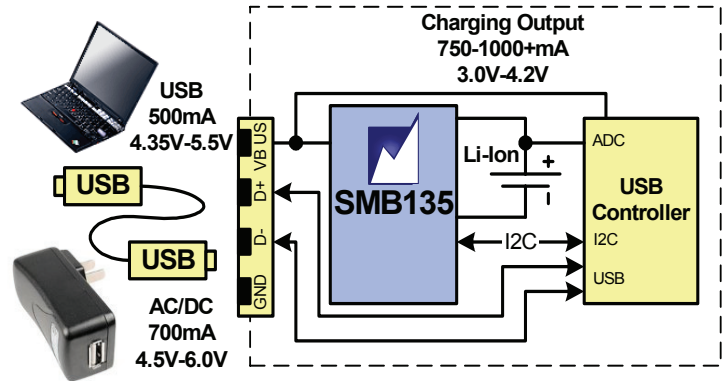
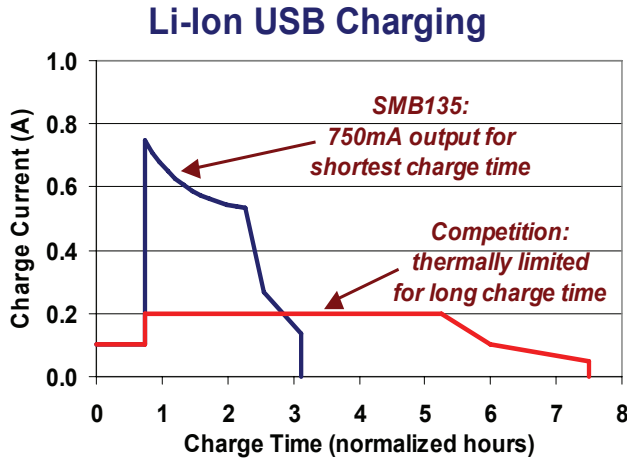


# 750mA Charging From USB?

*World's Smallest Li-Ion Charger IC Slashes Charge Time by 66%*

**Programmable USB Turbo Charge™ Mode Boosts Current  
Simplifies Charging from USB or AC Adapter**



**Single USB Cable/Connector for Data & Power  
Shrink or Eliminate the AC/DC "Wallwart"/Cradle!**

**Tiny Chip Scale Package Trims PCB Footprint by 69%  
Switch-Mode Operation Cuts Power Dissipation by 89%**

## SMB135 Features

- +4.35V to +6.0V Input Range with +10V Tolerance
- High Performance Switch-Mode Operation
- I<sup>2</sup>C/SMBus Serial Control Interface
- Programmable Algorithm Stored in EEPROM
  - Fast/Pre-Charge/Termination Current
  - Pre-Charge/Float Voltage Thresholds
  - Battery Temp/Timer Safety Limits
- Trickle Charge for Deep-Discharged Cells
- Ultra-Small Low-Profile CSP Packaging

## SMB135 Applications

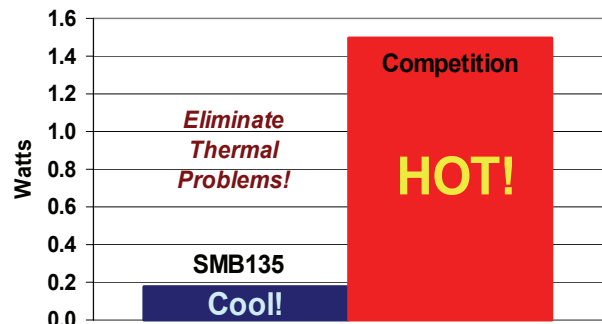
- 2.5G/3G/GSM/CDMA Phones
- Smartphones/PDA Phones
- Bluetooth Headsets
- Portable Media Players/Games
- Handheld GPS Terminals



Patent pending



## Power Dissipation @ 750mA



For more information see:  
[www.summitmicro.com/USBCharger](http://www.summitmicro.com/USBCharger)